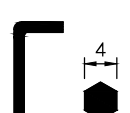
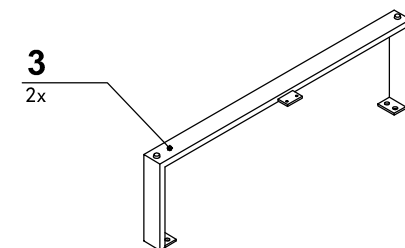
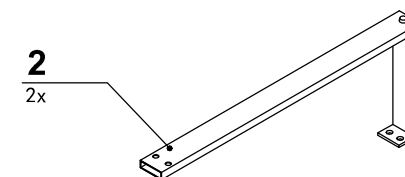
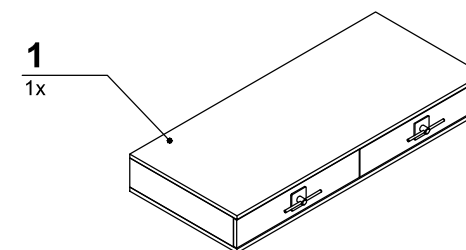
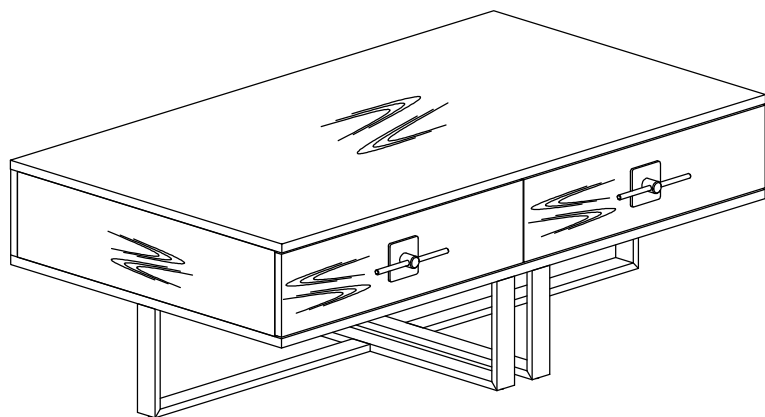






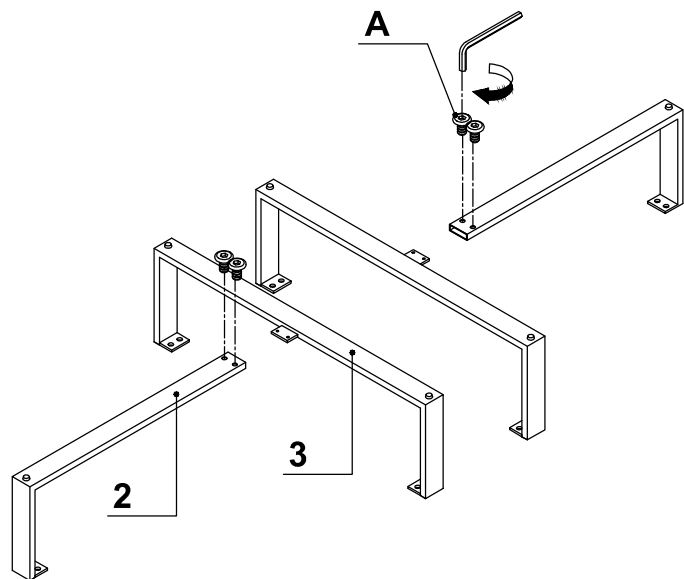
83876

Coffee Table Osaka 138x77cm

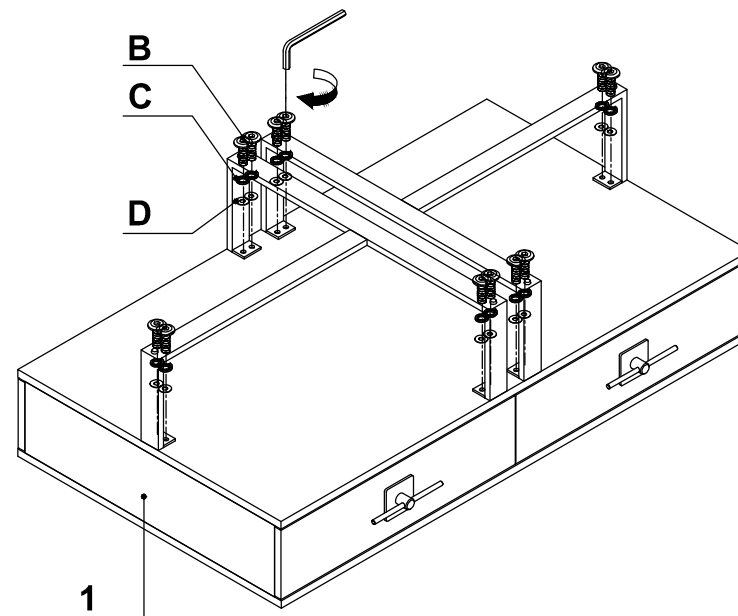
KARE
DESIGN



- A**  M6*10= 4x
- B**  M6*16= 12x
- C**  M6= 12x
- D**  $\phi 16-\phi 6*1,5= 12x$



①



②

83876 Coffee Table Osaka 138x77cm