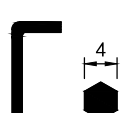
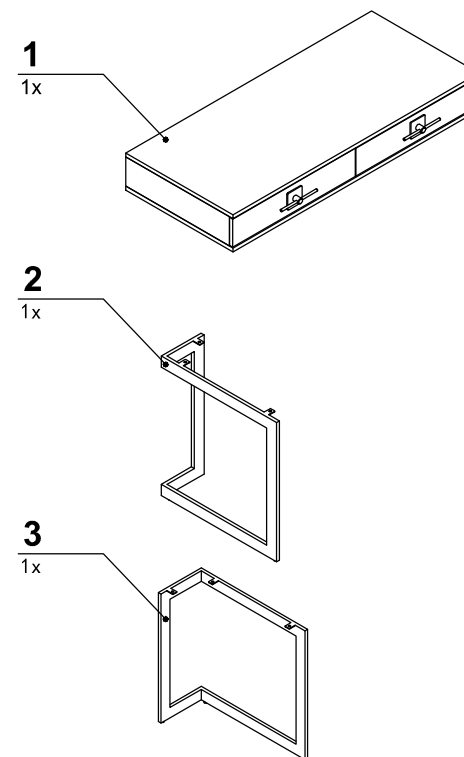
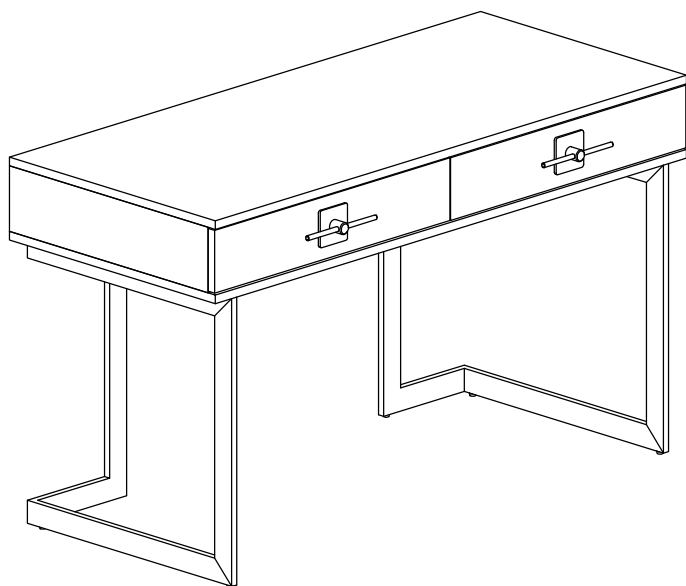



83881

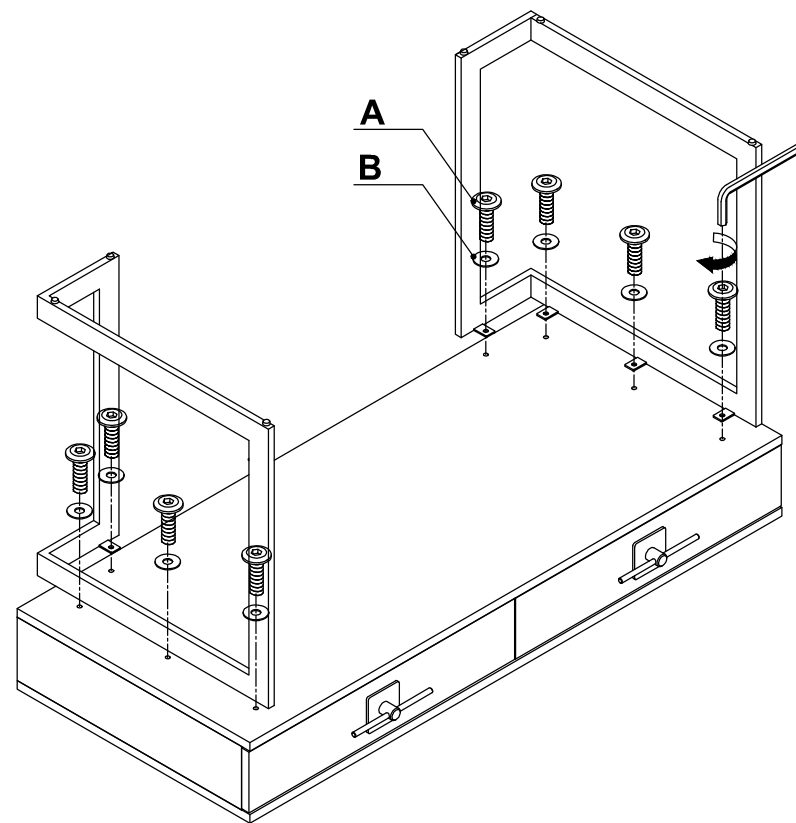
Desk Osaka 138x60cm

KARE
DESIGN



A  M6*20= 8x

B  $\phi 16-\phi 6*1.5= 8x$



83881 Desk Osaka 138x60cm