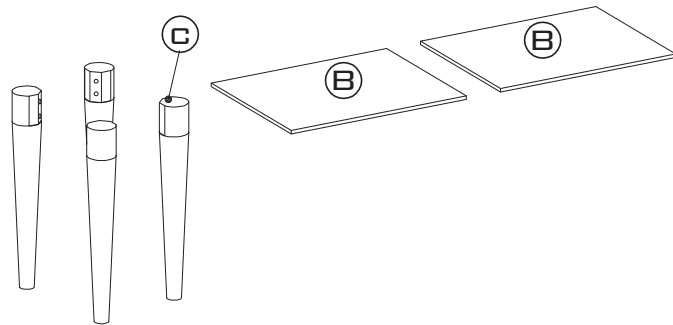
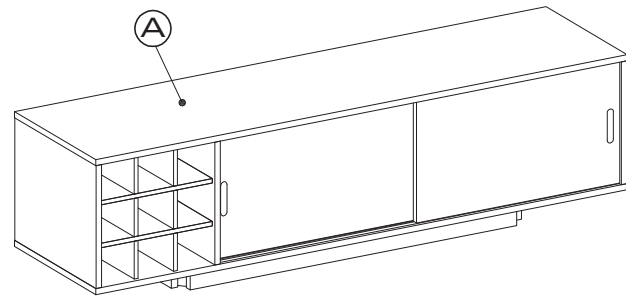


# ASSEMBLY INSTRUCTIONS SIDEBOARD GABOR


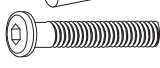




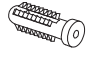

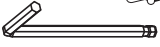


- PLEASE DO NOT DISCARD ANY OF THE PACKAGING UNTIL YOU HAVE CHECKED ALL THE PARTS AND THE PACKS OF HARDWARE.  
 - BEFORE YOU BEGIN TO ASSEMBLE YOUR NEW PIECE OF FURNITURE, PLEASE CHECK TO ENSURE THAT ALL PARTS HAVE BEEN SUPPLIED.  
 - FOLLOW INSTRUCTIONS CLOSELY AS DEVIATION FROM THEM MAY VOID YOUR WARRANTY AND PRESENT A POSSIBLE SAFETY RISK.  
 - IT IS RECOMMENDED THAT ASSEMBLY IS DONE ON A SOFT SURFACE LIKE CARPET TO AVOID ANY DAMAGE.  
 - PERIODICALLY CHECK AND RE-TIGHTEN ANY FASTENERS. WIPE DOWN ALL SURFACES WEEKLY WITH A CLEAN CLOTH. DO NOT CLEAN ANY SURFACES WITH HARSH ABRASIVES OR CHEMICALS.

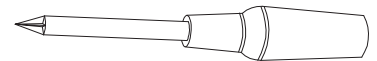
## PARTS CHECK LIST

CODE	COMPONENTS	QTY
(A)	BODY	x01
(B)	SHELF	x02
(C)	LEG	x04

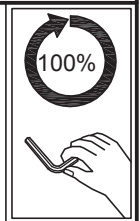
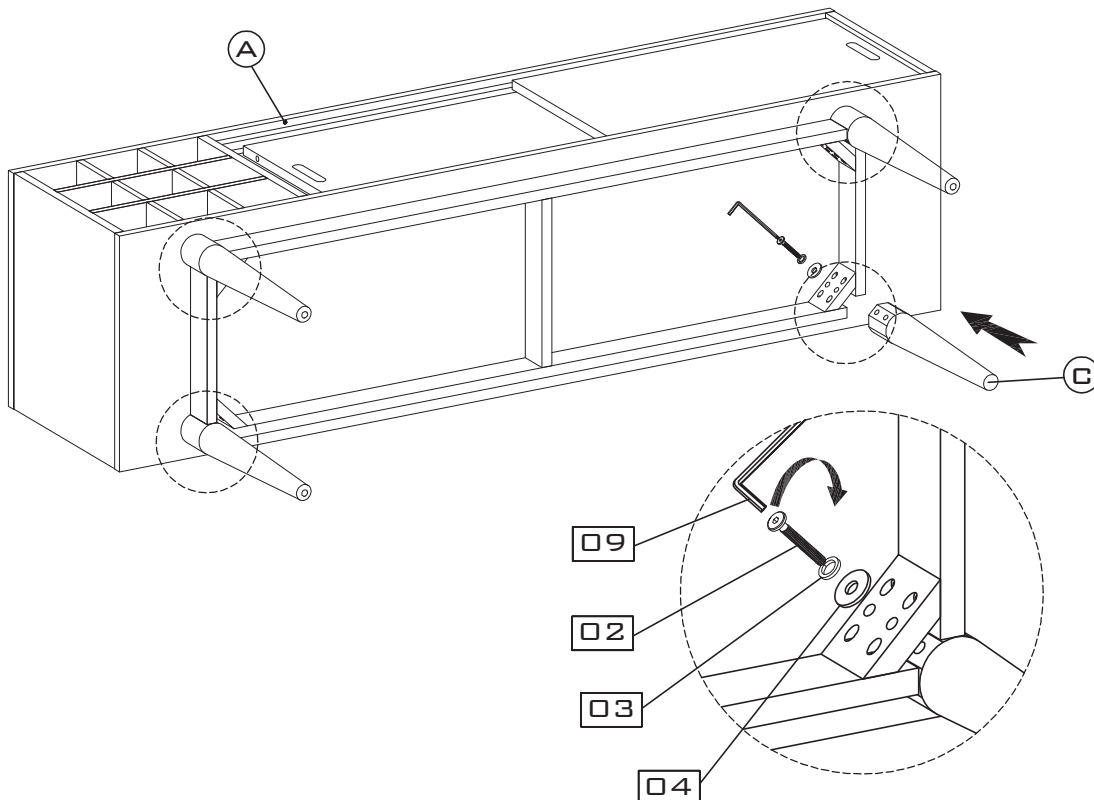
## HARDWARE CHECK LIST

CODE	DESCRIPTION	QTY
01	SHELF PIN 	x08
02	BOLT 	x08
03	SPRING WASHER 	x08
04	FLAT WASHER 	x08
05	METAL BRACKET 	x04
06	SCREW 	x04
07	PLASTIC STRAP 	x02
08	NYLON WALL STRAP 	x02
09	ALLEN KEY 	x01

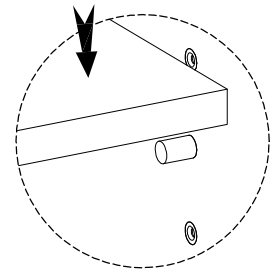
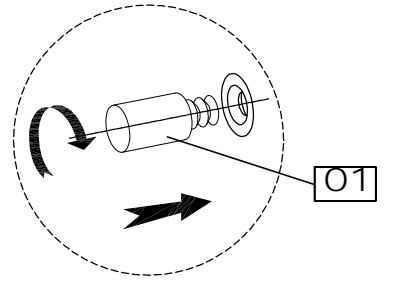
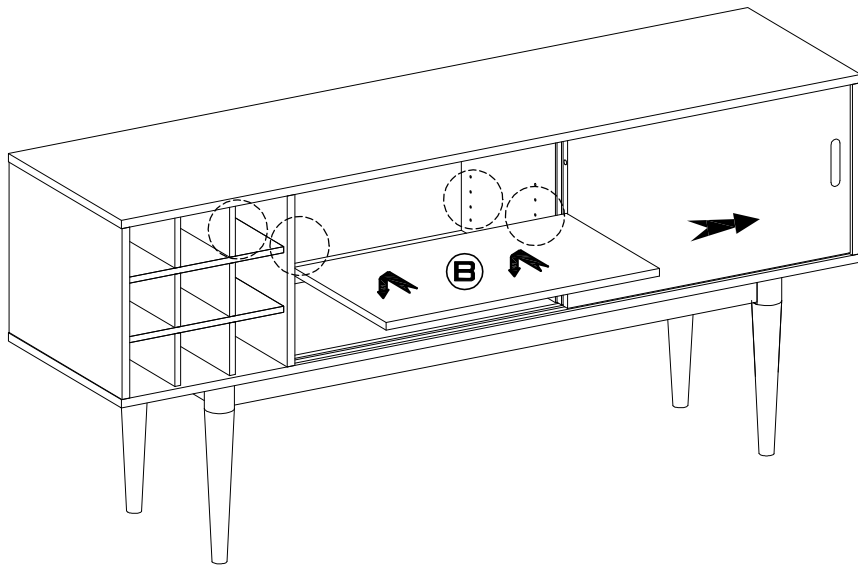
## TOOLS REQUIRED NOT SUPPLIED



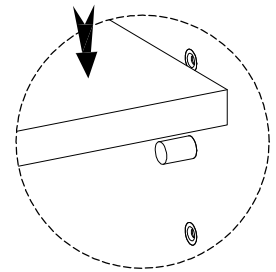
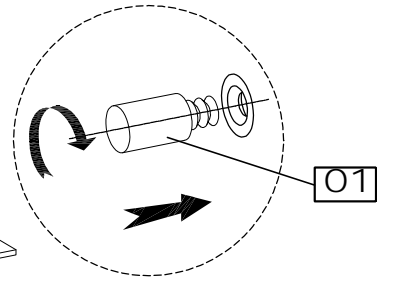
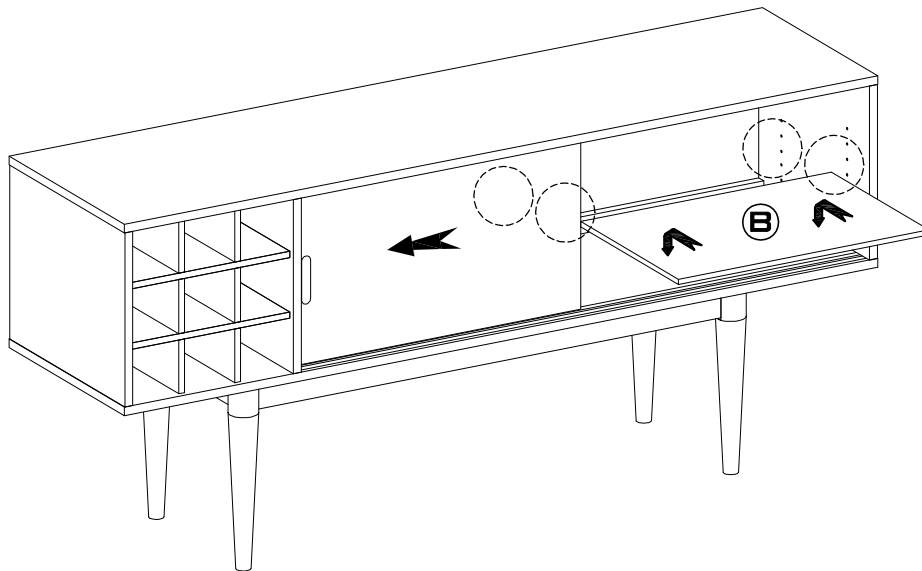
1.



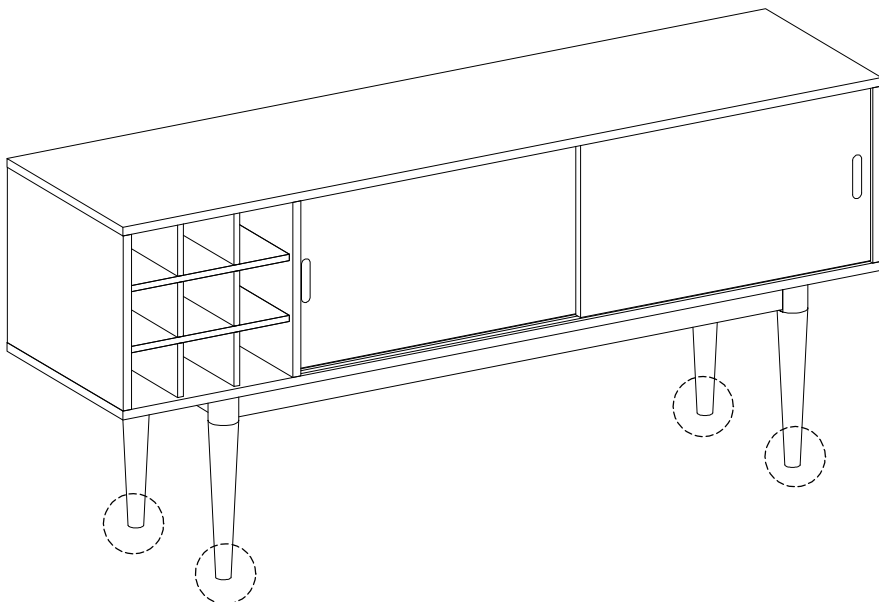
2.



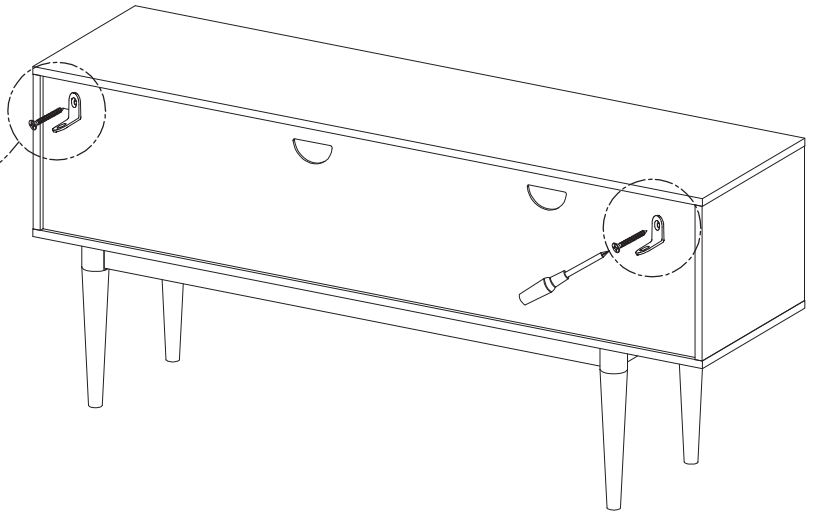
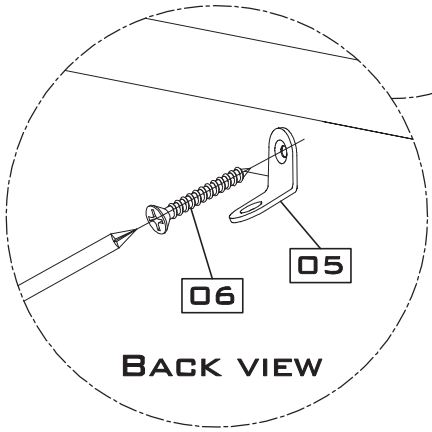
3.



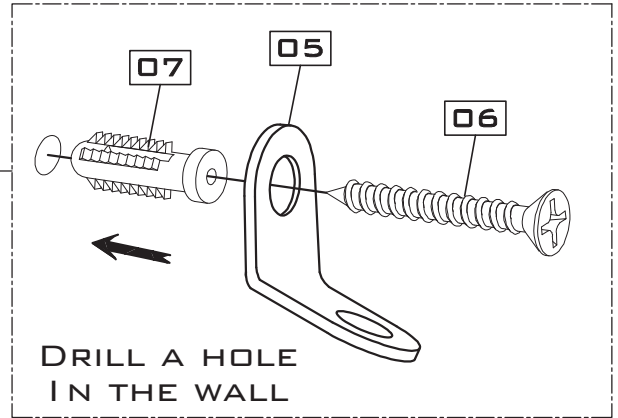
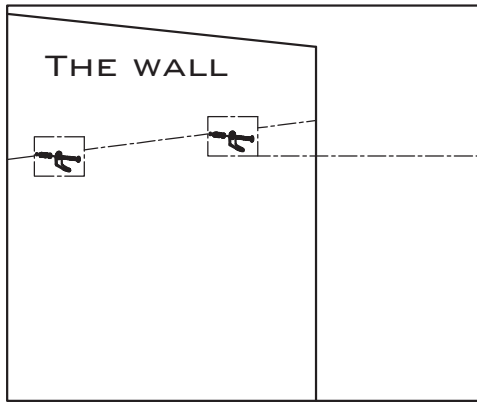
4.



5.



6.



7.

