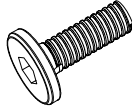




# NUTS

## 4-door cabinet

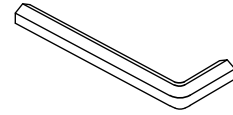
1. Allen Bolt - 8 pcs.



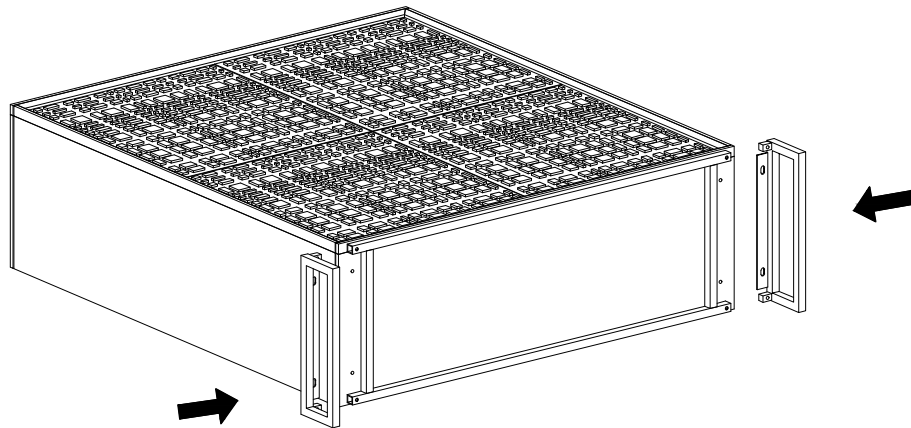
2. Washer - 4 pcs.



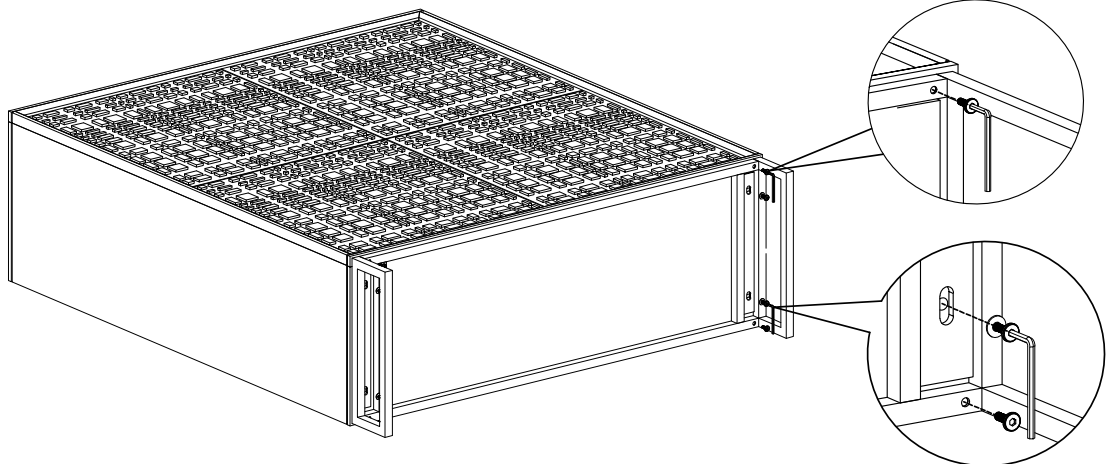
3. Allen key - 1 pc.



1



2



3

